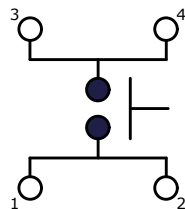
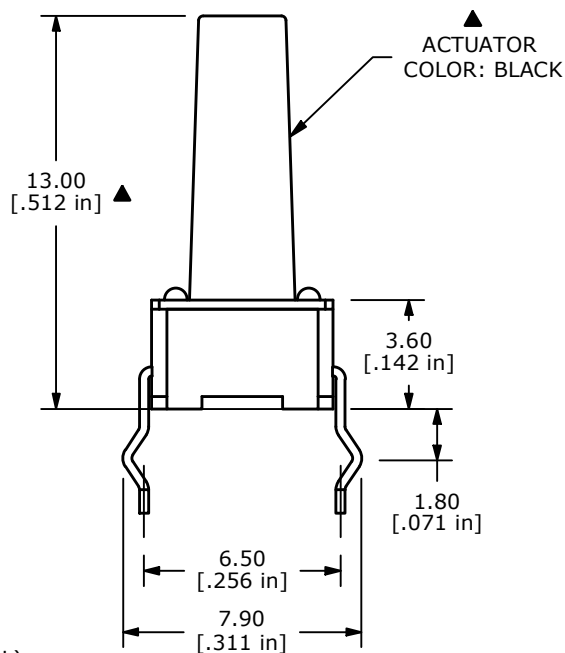
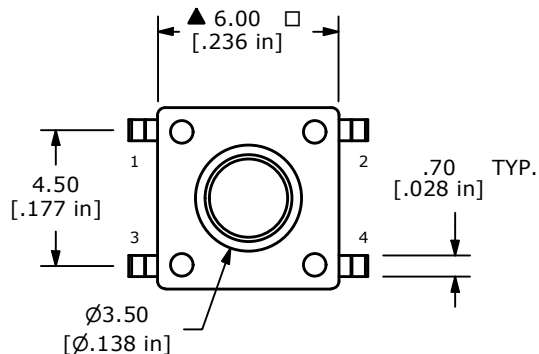


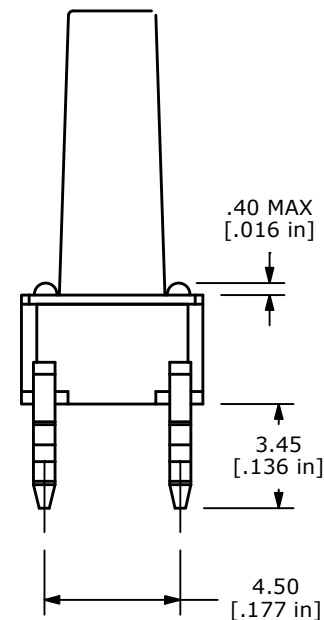
P.C.B. LAYOUT



CIRCUIT: SPST ▲



ACTUATOR  
COLOR: BLACK



NOTES:

1. ALL DIMENSIONS IN MM
2. GENERAL TOLERANCE: X.X=±0.4  
X.XX=±0.25
3. TERM. NOS. FOR REFERENCE ONLY.
4. RATING: 12VDC, 50mA
- ▲5. OPERATING FORCE: 160 ± 50 gf
6. TRAVEL: 0.25mm +0.20/-0.10MM
7. CONTACT RESISTANCE: 100 MILLI OHMS MAX. (INITIAL)
8. MECHANICAL/ELECTRICAL LIFE 100,000 CYCLES MIN.
- ▲9. CONTACT MATERIAL: SILVER
10. ▲ DENOTES CRITICAL PARAMETER
11. OPERATING TEMP: -40°C TO 85°C



D	24544	CHANGED OPERATING TEMPERATURE	10/19/20	JM
C	14528	UPDATE STANDARDS AND TITLE	11/19/04	AR
REV	PCR NO	DESCRIPTION	DATE	BY

TITLE TL1105DF160Q				
SCALE	DATE	DR	DWG	REV
4:1	11/19/2004	AR	P010005	D

THE INFORMATION CONTAINED IN THIS DOCUMENT IS PROPRIETARY TO E-SWITCH AND IS NOT TO BE COPIED OR TRANSFERRED